

Instructions

Ceramic Piezoresistive Pressure Sensor

PT218



| Summary

PT218 series is a high reliability and durability product with large quantities and low cost OEM. It adopts the international advanced piezoresistive sensor core, and it has the characteristics of all stainless steel structure, ultra-wide working temperature range and compact design. It is suitable for precise measurement and control of liquid and gas pressure in various fields

| Feature

- Accuracy can be 0.25% F.S
- Compact stainless steel housing package
- Protection degree IP65
- Multiple electrical connection optional
- Imported high performance thick film ceramic core

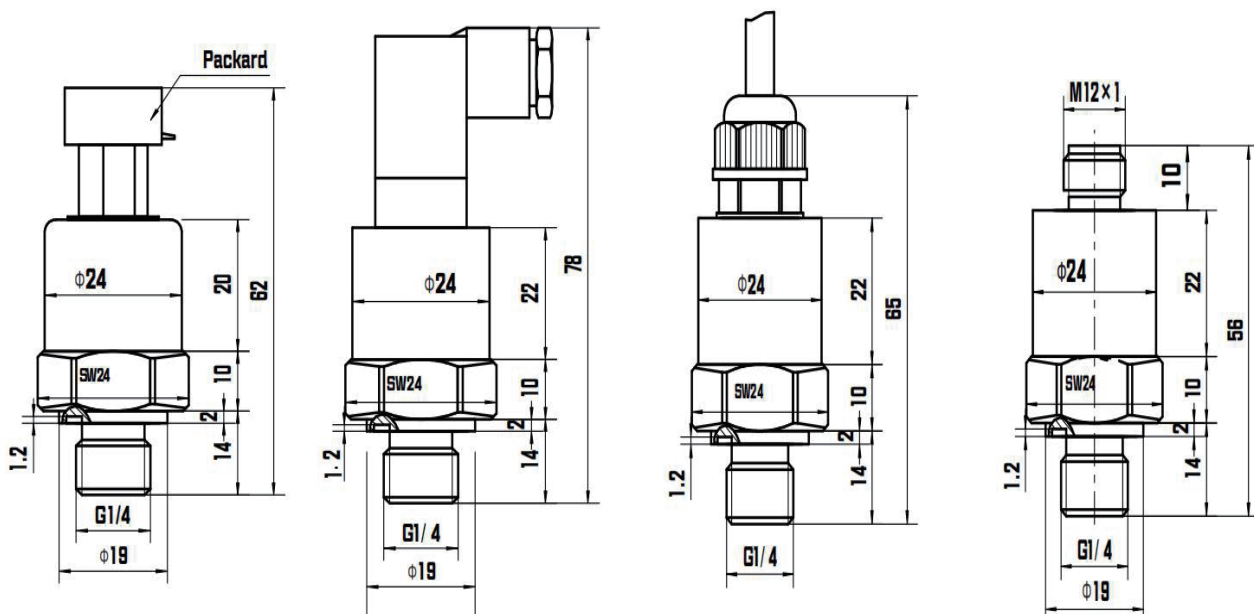
| Application

- Constant pressure water supply
- Pneumatic system
- Compressor
- Automobile electron

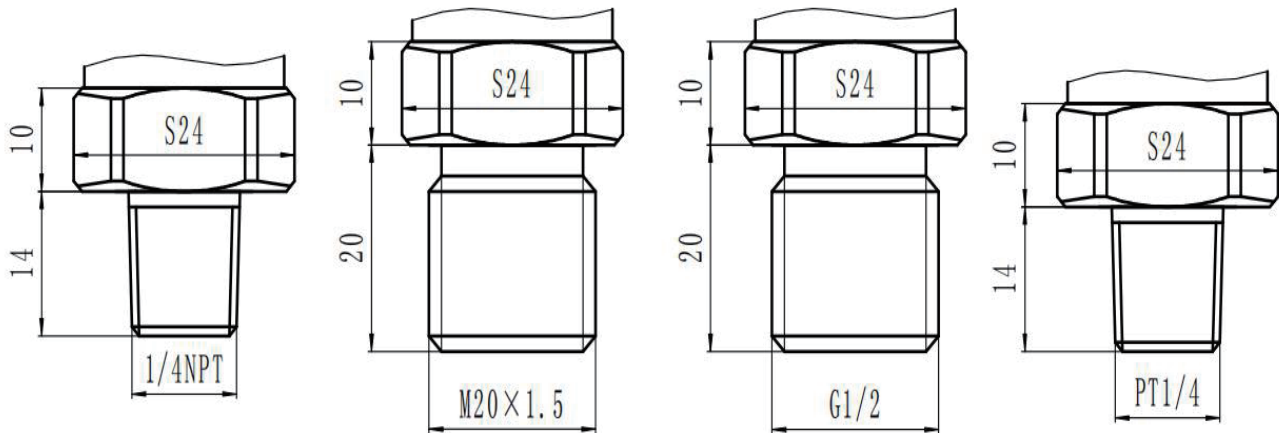
Specification

Pressure range	0~100bar (0~10MPa)		
Pressure type	Gauge pressure		
Accuracy	0.5% F.S		
Temperature drift	≤0.04% /°C		
Compatible medium	all corrosive medium compatible with material 1Cr18Ni9Ti		
Electrical Performance	2-wire	3-wire	3-wire
Output signal	4~20 mA	0~10V	0.5~4.5V
Response time	≤3msec	≤10msec	≤10msec
Power supply	10~30Vdc	12~30Vdc	5Vdc
Overload resistance	(U-10)/0.02Ω	100kΩ	100kΩ
E-connection	Hirschmann, PACK connector		
Process connection	G1/4,G1/2,1/4NPT,M20x1.5		
Overload pressure	1.5 times rated pressure		
Diaphragm Temp	-25~85 °C		
Mechanical shock	100 g/1 msec		
Mechanical Vibration	≤20 g (15-2000 Hz)		
Protection degree	IP65		

Dimension



Process connection



E-connection

Round connector 4-pin M12 x 1				Hirschmann DIN 175301-803 C			
		Current	Voltage		Current	Voltage	
	U+	1/brown	1/brown		U+	1/red	1/red
	0V		4/black		0V		2/black
	S+	3/blue	3/blue		S+	2/black	3/green

Leading wire, Shielded				Metric-Pack 150 series (3-pin)			
		Current	Voltage		Current	Voltage	
	U+	red	red		U+	B/red	B/red
	0V		black		0V		A/black
	S+	black	green		S+	A/black	C/green

Ordering guide

Series code		PT218	-	X	-	X	-	X	-	X	-	X	-	X	
Pressure unit	bar			B											
	MPa			M											
Pressure range	Pressure range value x					X									
Process connection	G1/4							G1/4							
	1/4NPT							1/4NPT							
	G1/2							G1/2							
	M20 x1.5							M20							
	R1/4							R1/4							
	R1/2							R1/2							
	1/2NPT							1/2NPT							
Output	4~20mA							MA							
	0~10VDC							10V							
	0~5VDC							5V							
	0.5~4.5VDC							4V							
E-connection	Hirschmann connector (DIN 175301-803 C)									2D					
	M12x1 round connector 4-pin									T					
	Packard connector									PA					
	water-proof connector leading wire X meters									MX					
Material	SUS304 (Standard)														-