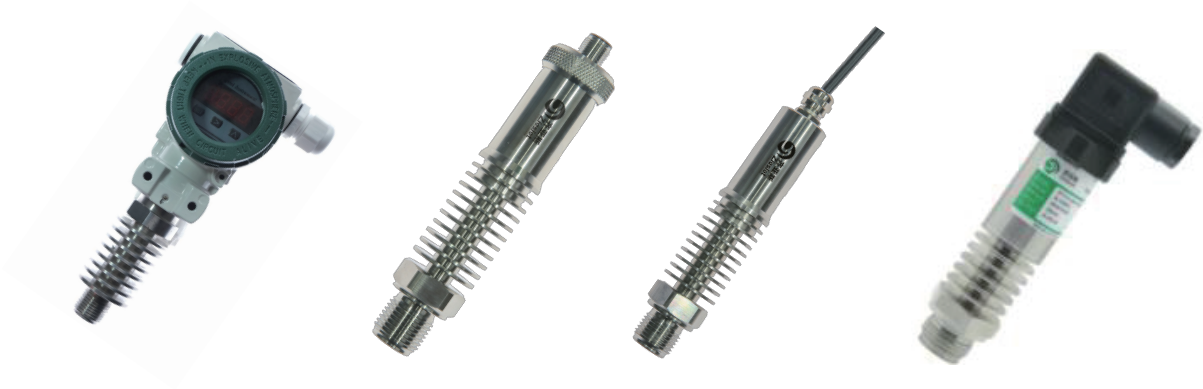


Instructions

Medium and High Temp Pressure Series Pressure Sensor

PT216HT/PT216HH



| Summary

PT216HH and PT216HT is the medium and high temperature pressure sensor, which is of all stainless steel structure, and adopt imported high temperature resistant pressure sensor as signal measurement sensitive element, the pressure of the measured medium is transmitted to the sensor through the heat dissipation structure on the transmitter. The sensor probe can work stably for a long time at a high temperature of 200°C. This product is widely used in liquid and vapor pressure measurement and control in the high temperature field

| Feature

- Accuracy can be 0.25% F.S
- Compact stainless steel housing package
- Protection level IP65
- Multiple E-connection optional
- Heat dissipation structure design, can withstand medium and high temperature

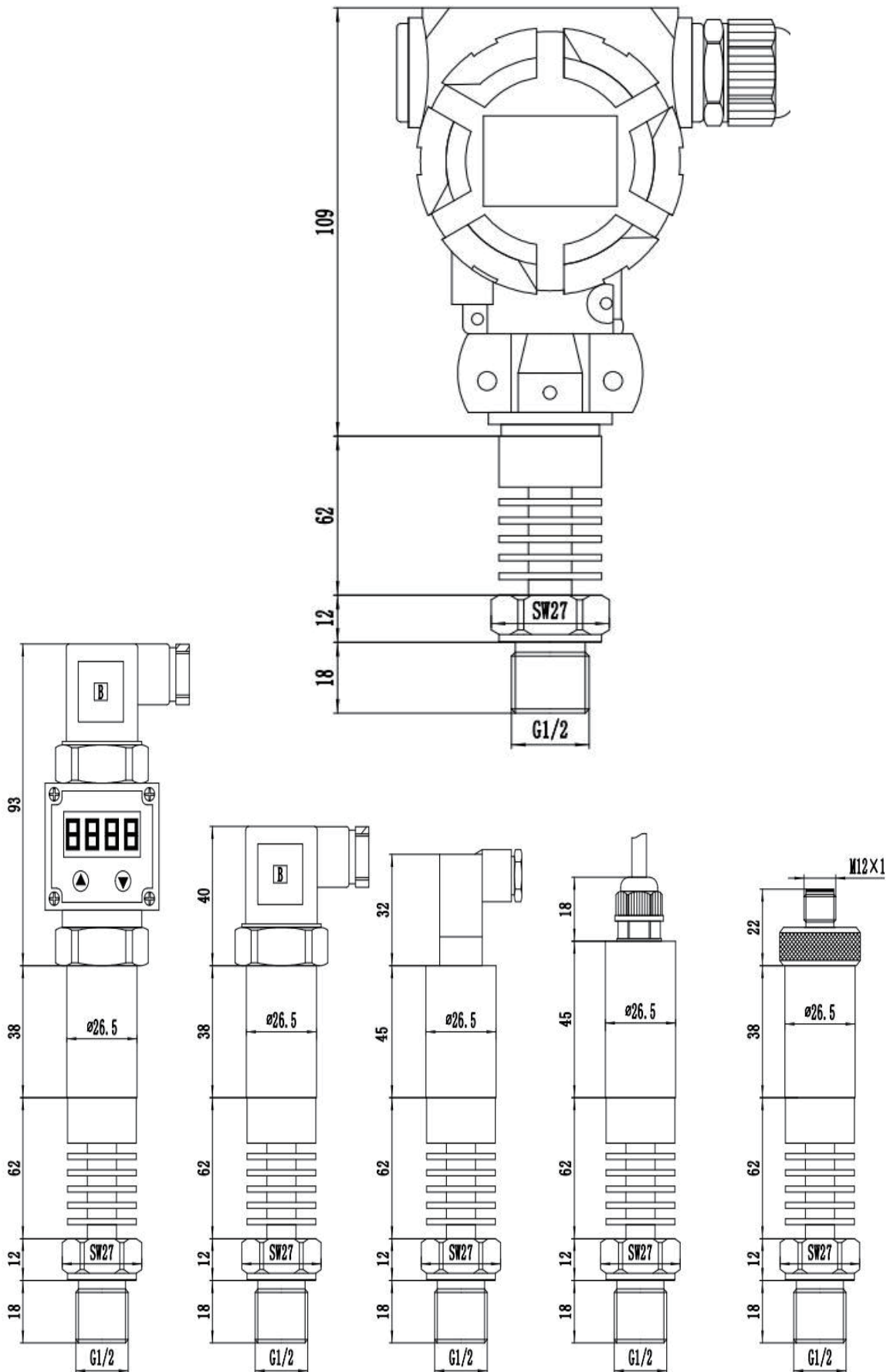
| Application

- Measurement of high temperature fluids such as steam and hot oil
- Measurement and control of boiler industry
- Medical high temperature and high pressure disinfection

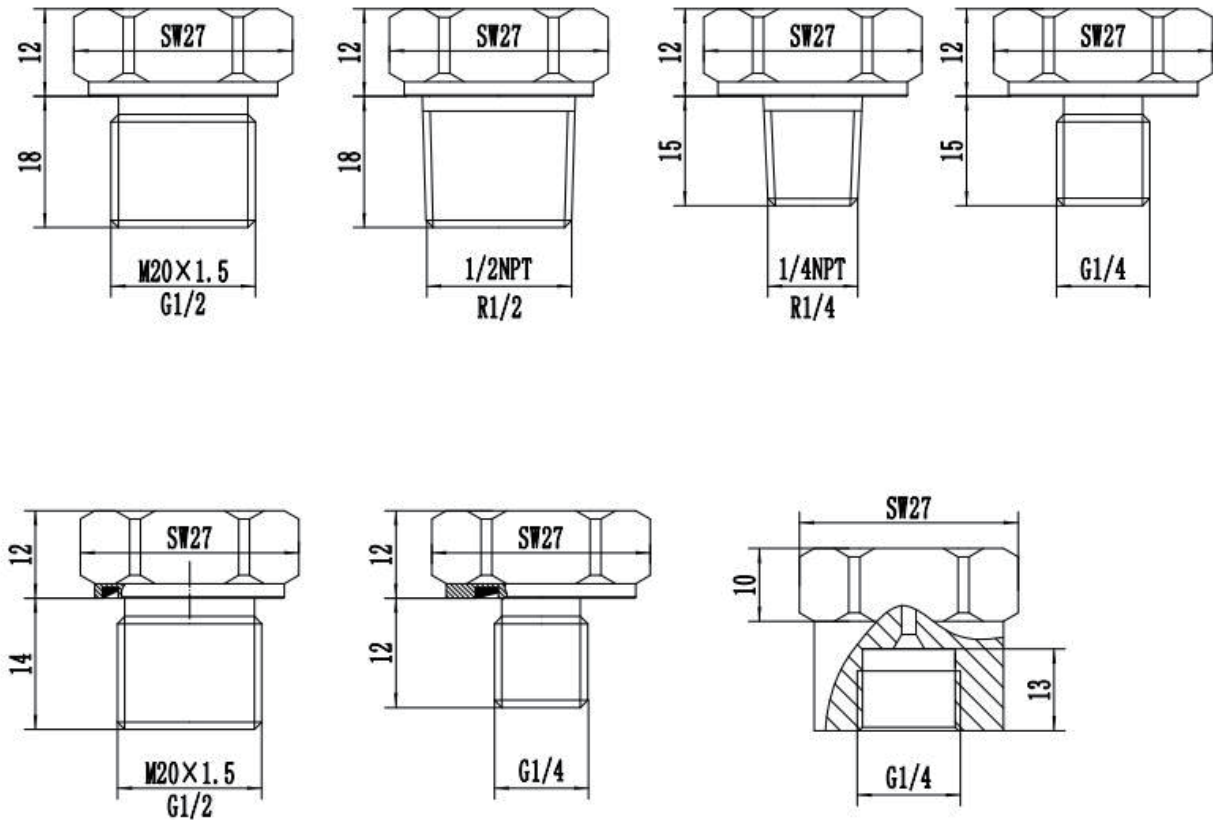
Specification

Pressure range	-1~0bar; 0~400 bar(-100~0kPa; 0~40MPa)			
Pressure type	Gauge pressure, absolute pressure			
Accuracy	0.5% F.S; 0.25% F.S			
Electrical Performance	2-wire	3-wire 0~10V	3-wire	3-wire
Output signal	4~20 mA	0~10V	0~5V	0.5~4.5V
Power supply	6.5~32Vdc	12~32Vdc	10~32Vdc	5Vdc
Overload resistance	<(U-6.5)/0.02	>20k	>20k	>20k
E-connection	M12x 1(4-pin), Hirschmann, PACK connector, water-proof connector			
Process connection	G1/4, G1/2, 1/4NPT, 1/2NPT, M20x1.5, R1/4, R1/2, G1/4 etc			
Overload pressure	1.5 times rated pressure			
Diaphragm Temp	-20~200 °C			
Electrical Temp	-20~80 °C			
Protection degree	IP65			
Response time	≤ 10msec			
Long term stability	0.2% FS / year			

Dimension



Process connection



E-connection

Hirschmann DIN 175301-803 A			
		Current	Voltage
	U+	1/red	1/red
	0V		2/black
	S+	2/black	3/green

Hirschmann DIN 175301-803 C			
		Current	Voltage
	U+	1/red	1/red
	0V		2/black
	S+	2/black	3/green

Round connector 4-pin M12 x 1			
		Current	Voltage
	U+	1/brown	1/brown
	0V		4/black
	S+	3/blue	3/blue

Metric-Pack 150 series (3-pin)			
		Current	Voltage
	U+	B/red	B/red
	0V		A/black
	S+	A/black	C/green

Leading wire, Shielded			
		Current	Voltage
	U+	red	red
	0V		black
	S+	black	green

Ordering guide

Series code		X	-	X	-	X	-	X	-	X	-	X	-	X	-	X	-	X
Product type	Compact housing	PT216HT																
	2088 housing	PT216HH																
Pressure type	Gauge pressure			G														
	Absolute pressure			A														
Pressure unit	bar					B												
	MPa					M												
	kPa					K												
Pressure range	Pressure range value x							X										
Process connection	G1/4							G1/4										
	1/4NPT							1/4NPT										
	G1/2							G1/2										
	M20 x1.5							M20										
	R1/4							R1/4										
	R1/2							R1/2										
	1/2NPT							1/2NPT										
	G1/4 female							G1/4C										
Output	4~20mA (the output of housing 2088, only choose this)							MA										
	0~10VDC							10V										
	0~5VDC							5V										
	0.5~4.5VDC							4V										
E-connection	Hirschmann connector (DIN 175301-803 C)							2D										
	Hirschmann connector (DIN 175301-803 A)							1D										
	M12x1 4-pin round connector							T										
	Packard connector							PA										
	water-proof connector leading wire X meters							MX										
	Hirschmann connector with LED							3D										
	LED digital display and alarm function							4D										
Material	SUS304 (Standard)							-										
	SUS316L							3L										
Sealing way	Standard end face sealing							-										
	End face sealing with damping							N										
	Taper sealing							Z										
	O-ring seal							M										
Accuracy	0.5%F.S							-										
	0.25%F.S							2A										