

Instructions

Explosion Proof Silicon Pressure Sensor

PT216FS/PT216FH/PT216FM/PT216FJ



Summary

This series are intrinsically safe pressure transmitters, which adopt imported diffused silicon core as components, and have strong earthquake resistance, long-term stability and various specifications and parameters.

Feature

- Accuracy can be 0.25% F.S
- 4 ~ 20mA output
- Protection degree IP65
- Several threads optional
- Intrinsically safe

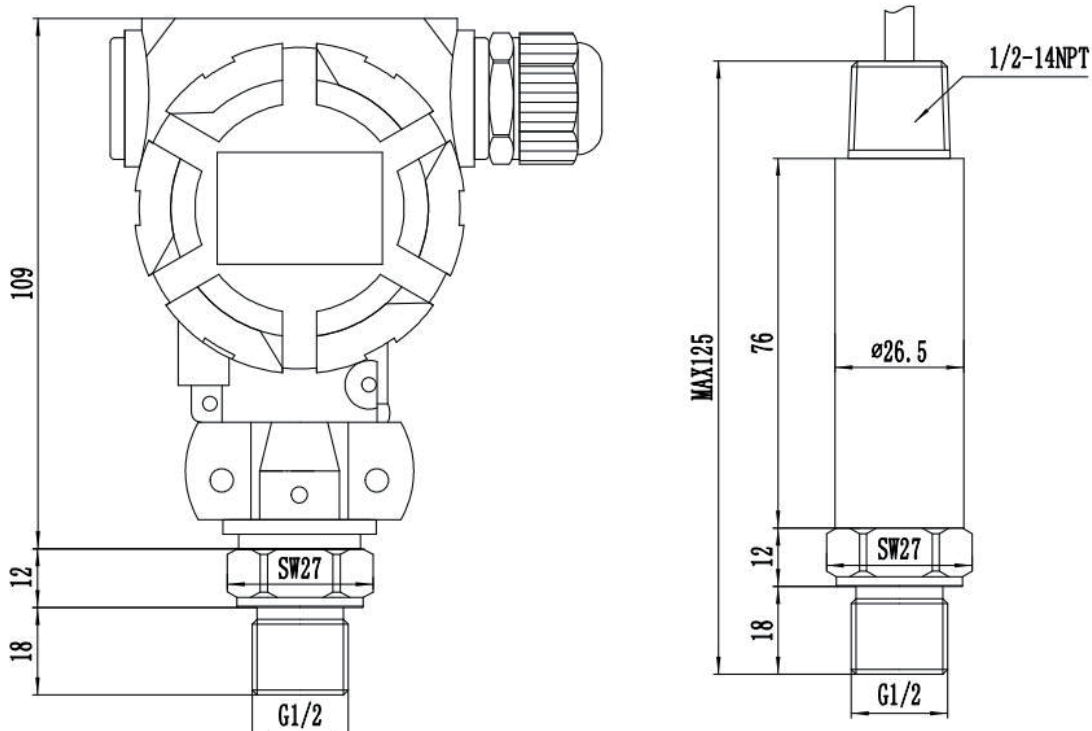
Application

- Drilling platform
- Petrochemical and natural gas control system
- Explosion-proof industrial process measurement and control

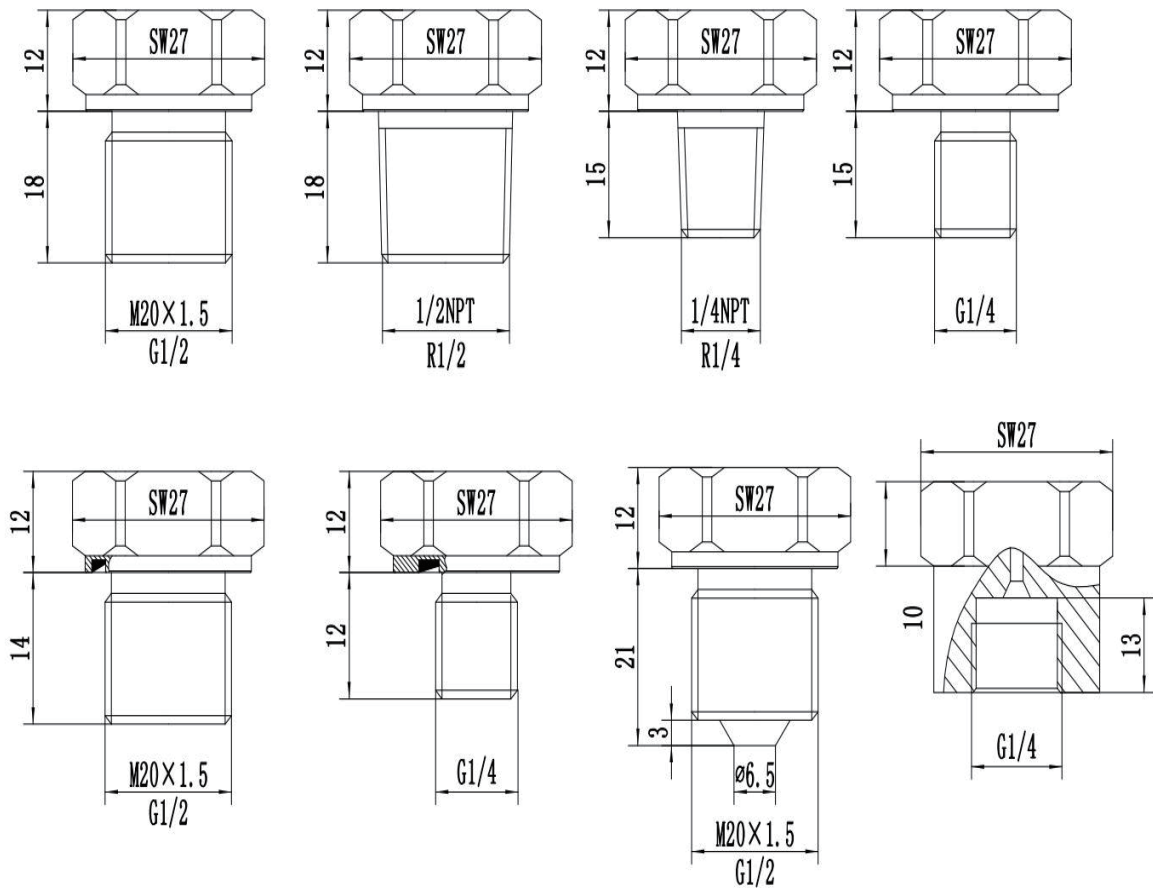
Specification

Pressure range	0~100 bar, 0~2000 bar (0-1MPa.0-200MPa)
Pressure type	Gauge pressure,absolute pressure
Accuracy	0.5% F.S; 0.25% F.S
Output signal	4~20 mA
Power supply	12~30Vdc
E-connection	Leading wire
Overload pressure	1.5 times rated pressure
Working temperature	-20~80℃
Protection degree	IP65
Explosion-proof grade	Exia II CT4
Long term stability	0.2% FS / year
Process connection	G1/4,G1/4C,G1/2,1/2NPT,1/4NPT,M20X1.5,R1/2,R1/4



Dimension



Process connection



E-connection

Round connector 4-pin M12 x 1				Leading wire, Shielded			
		Current	Voltage			Current	Voltage
	U+	1/brown	1/brown		U+	red	red
	0V		4/ black		0V		black
	S+	3/blue	3/blue		S+	black	green

Ordering guide

Series code		X	-	X	-	X	-	X	-	X	-	X	-	X	-	X	-	X
Product type	Compact housing	PT216FS																
	2088 housing with LCD	PT216FH																
	All stainless steel axial digital display housing	PT216FM																
	All stainless steel radial digital display housing	PT216FJ																
Pressure type	Gauge pressure			G														
	Absolute pressure			A														
Pressure unit	bar					B												
	MPa					M												
	kPa					K												
Pressure range	Pressure range value x						X											
Process connection	G1/4							G1/4										
	1/4NPT							1/4NPT										
	G1/2							G1/2										
	M20 x1.5							M20										
	R1/4							R1/4										
	R1/2							R1/2										
	1/2NPT							1/2NPT										
	G1/4 female							G1/4C										
Output	4-20mA								MA									
	4-20mA+HART								H									
E-connection	M12x1 4-pin round connector									T								
	Water-proof joint lead x metre									MX								
Material	SUS304 (Standard)																	
	SUS316L													3L				
Sealing way	Standard end face sealing																	-
	End face sealing with damping																	N
	Taper sealing																	Z
	O-ring seal																	M
Accuracy	0.5%F.S																	-
	0.25%F.S																	2A