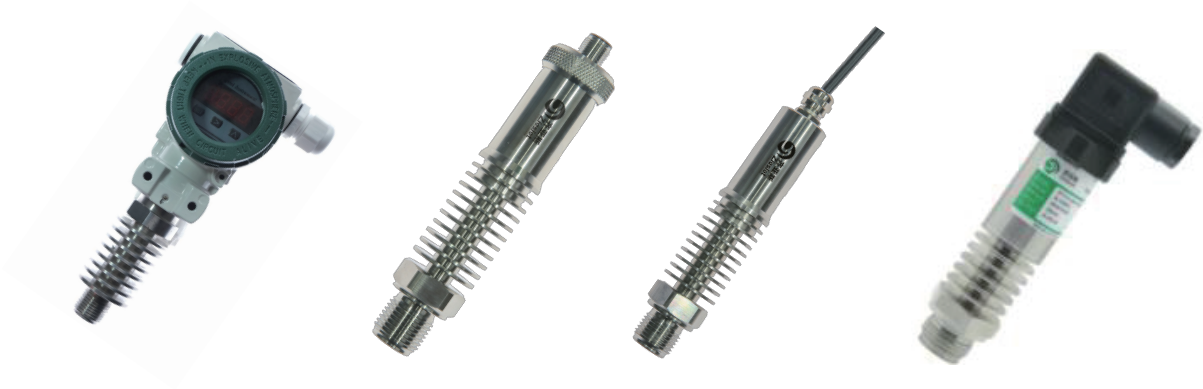


## Instructions

### High Temperature Strain Gauge Pressure Sensor

PT210HT/PT210HH



## | Summary

PT210HT/PT210HH is of all stainless steel structure, and the imported high temperature resistant pressure sensor is selected as the signal measurement sensitive element, The measured medium pressure is transmitted to the sensor through the heat dissipation structure on the transmitter, and the sensor probe can work stably at 200℃ for a long time, This product is widely used in the measurement and control of liquid and steam pressure in high temperature field

## | Feature

- Accuracy can be 0.25% F.S
- Compact stainless steel housing package
- Protection level IP65
- Multiple E-connection optional
- Heat dissipation structure design, can withstand medium and high temperature

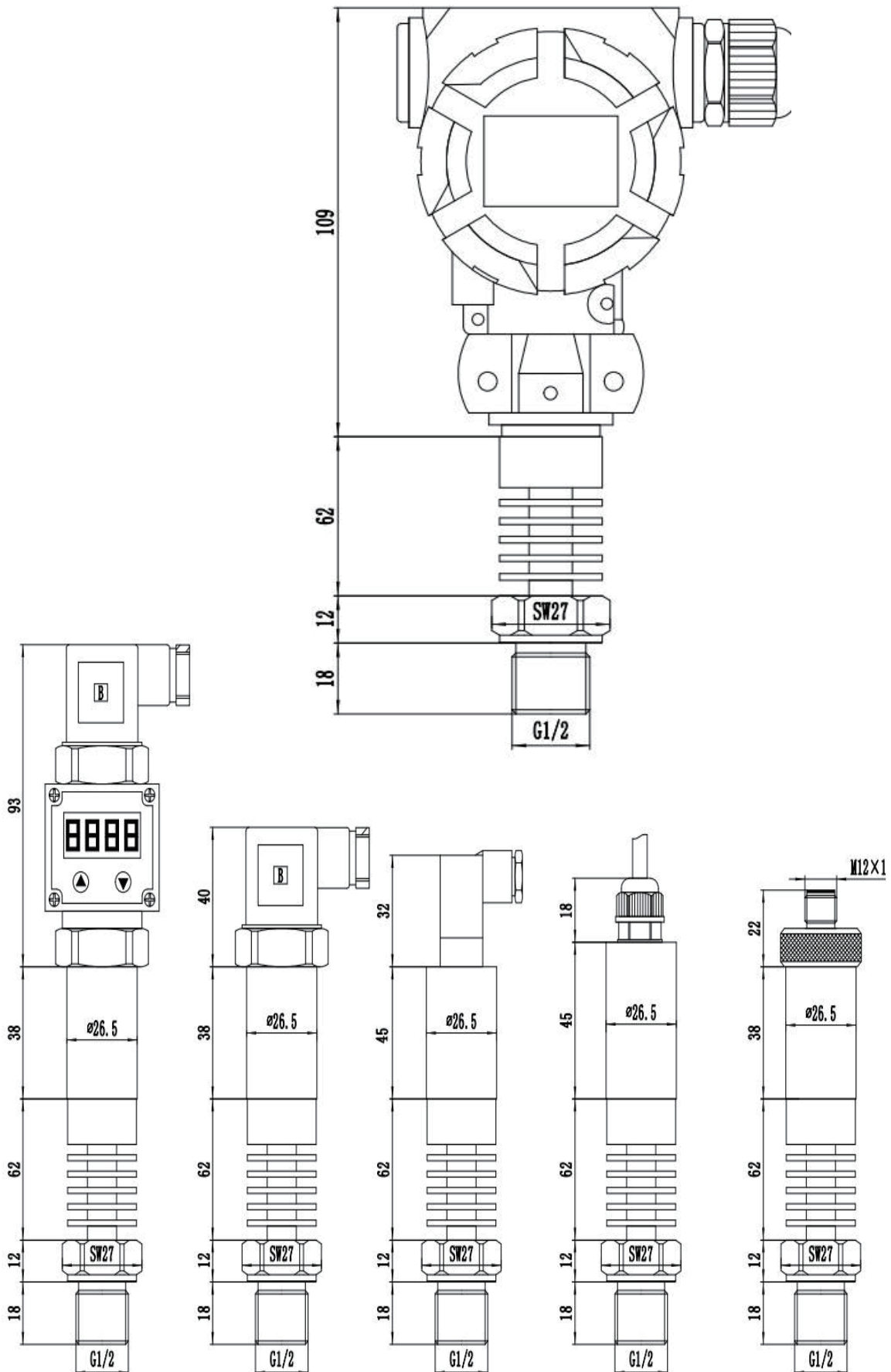
## | Application

- Measurement of high temperature fluids such as steam and hot oil
- Measurement and control of boiler industry
- Medical high temperature and high pressure disinfection

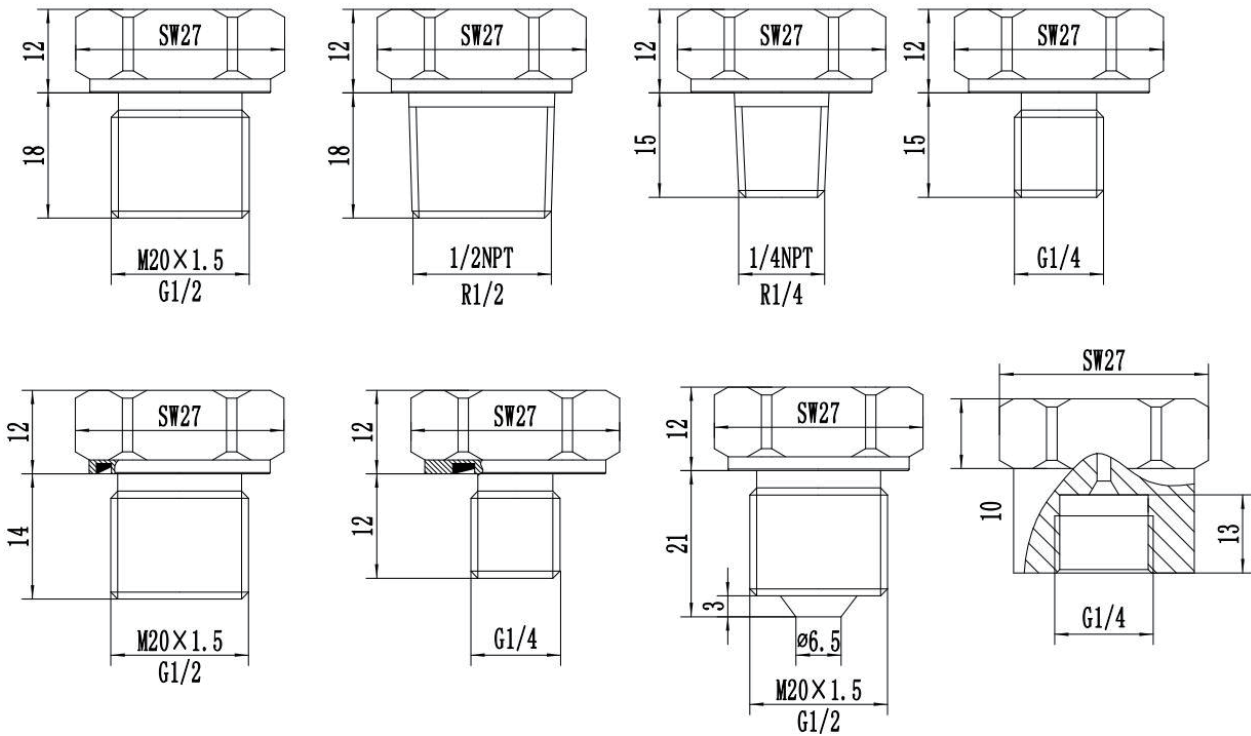
## Specification

|                        |  |              |          |          |
|------------------------|--|--------------|----------|----------|
| Pressure range         | 0~700 bar(0~70MPa)   |              |          |          |
| Pressure type          | Gauge pressure   |              |          |          |
| Accuracy               | 0.5% F.S; 0.25% F.S  |              |          |          |
| Electrical Performance | 2-wire   | 3-wire 0~10V | 3-wire   | 3-wire   |
| Output signal          | 4~20 mA  | 0~10V        | 0~5V     | 0.5~4.5V |
| Power supply           | 6.5~32Vdc  | 12~32Vdc     | 10~32Vdc | 5Vdc     |
| Overload resistance    | <(U-6.5)/0.02  | >20k         | >20k     | >20k     |
| E-connection           | M12x 1(4-pin),Hirschmann, PACK connector,water-proof connector |              |          |          |
| Process connection     | G1/4,G1/2,1/4NPT,1/2NPT,M20x1.5,R1/4,R1/2,G1/4 etc             |              |          |          |
| Overload pressure      | 1.5 times rated pressure                                       |              |          |          |
| Diaphragm Temp         | -20~200℃   |              |          |          |
| Electrical Temp        | -20~80℃  |              |          |          |
| Protection degree      | IP65   |              |          |          |
| Response time          | ≤ 10msec   |              |          |          |
| Long term stability    | 0.2% FS / year   |              |          |          |

# Dimension



## Process connection



## E-connection

| Hirschmann DIN 175301-803 A |    |         |         |
|-----------------------------|----|---------|---------|
|                             |    | Current | Voltage |
|                             | U+ | 1/red   | 1/red   |
|                             | 0V |         | 2/black |
|                             | S+ | 2/black | 3/green |

| Hirschmann DIN 175301-803 C |    |         |         |
|-----------------------------|----|---------|---------|
|                             |    | Current | Voltage |
|                             | U+ | 1/red   | 1/red   |
|                             | 0V |         | 2/black |
|                             | S+ | 2/black | 3/green |

| Round connector 4-pin M12 x 1 |    |         |         |
|-------------------------------|----|---------|---------|
|                               |    | Current | Voltage |
|                               | U+ | 1/brown | 1/brown |
|                               | 0V |         | 4/black |
|                               | S+ | 3/blue  | 3/blue  |

| Metric-Pack 150 series (3-pin) |    |         |         |
|--------------------------------|----|---------|---------|
|                                |    | Current | Voltage |
|                                | U+ | B/red   | B/red   |
|                                | 0V |         | A/black |
|                                | S+ | A/black | C/green |

| Leading wire, Shielded |    |         |         |
|------------------------|----|---------|---------|
|                        |    | Current | Voltage |
|                        | U+ | red     | red     |
|                        | 0V |         | black   |
|                        | S+ | black   | green   |

## Ordering guide

|                    |   |         |   |   |   |   |   |        |     |   |   |   |   |   |   |   |   |    |
|--------------------|---|---------|---|---|---|---|---|--------|-----|---|---|---|---|---|---|---|---|----|
| Series code        |   | X       | - | X | - | X | - | X      | -   | X | - | X | - | X | - | X | - | X  |
| Product type       | Compact housing                                       | PT210HT |   |   |   |   |   |        |     |   |   |   |   |   |   |   |   |    |
|                    | 2088 housing  | PT210HH |   |   |   |   |   |        |     |   |   |   |   |   |   |   |   |    |
| Pressure unit      | bar   |         |   | B |   |   |   |        |     |   |   |   |   |   |   |   |   |    |
|                    | MPa   |         |   | M |   |   |   |        |     |   |   |   |   |   |   |   |   |    |
| Pressure range     | Pressure range value x                                |         |   |   |   | X |   |        |     |   |   |   |   |   |   |   |   |    |
| Process connection | G1/4  |         |   |   |   |   |   | G1/4   |     |   |   |   |   |   |   |   |   |    |
|                    | 1/4NPT  |         |   |   |   |   |   | 1/4NPT |     |   |   |   |   |   |   |   |   |    |
|                    | G1/2  |         |   |   |   |   |   | G1/2   |     |   |   |   |   |   |   |   |   |    |
|                    | M20 x1.5  |         |   |   |   |   |   | M20    |     |   |   |   |   |   |   |   |   |    |
|                    | R1/4  |         |   |   |   |   |   | R1/4   |     |   |   |   |   |   |   |   |   |    |
|                    | R1/2  |         |   |   |   |   |   | R1/2   |     |   |   |   |   |   |   |   |   |    |
|                    | 1/2NPT  |         |   |   |   |   |   | 1/2NPT |     |   |   |   |   |   |   |   |   |    |
|                    | G1/4 female   |         |   |   |   |   |   | G1/4C  |     |   |   |   |   |   |   |   |   |    |
| Output             | 4~20mA (the output of housing 2088,only choxxse thi5) |         |   |   |   |   |   |        | MA  |   |   |   |   |   |   |   |   |    |
|                    | 0~10VDC   |         |   |   |   |   |   |        | 10V |   |   |   |   |   |   |   |   |    |
|                    | 0~5VDC  |         |   |   |   |   |   |        | 5V  |   |   |   |   |   |   |   |   |    |
|                    | 0.5~4.5VDC  |         |   |   |   |   |   |        | 4V  |   |   |   |   |   |   |   |   |    |
| E-connection       | Hirschmann connector (DIN 175301-803 C)               |         |   |   |   |   |   |        | 2D  |   |   |   |   |   |   |   |   |    |
|                    | Hirschmann connector (DIN 175301-803 A)               |         |   |   |   |   |   |        | 1D  |   |   |   |   |   |   |   |   |    |
|                    | M12x1 4-pin round connector                           |         |   |   |   |   |   |        | T   |   |   |   |   |   |   |   |   |    |
|                    | Packard connector                                     |         |   |   |   |   |   |        | PA  |   |   |   |   |   |   |   |   |    |
|                    | water-proof connector leading wire X meters           |         |   |   |   |   |   |        | MX  |   |   |   |   |   |   |   |   |    |
|                    | Hirschmann connector with LED                         |         |   |   |   |   |   |        | 3D  |   |   |   |   |   |   |   |   |    |
|                    | 2088 housing with LCD display                         |         |   |   |   |   |   |        | -   |   |   |   |   |   |   |   |   |    |
|                    | 2088 housing.no display                               |         |   |   |   |   |   |        | NX  |   |   |   |   |   |   |   |   |    |
| Material           | SUS304 (Standard)                                     |         |   |   |   |   |   |        | -   |   |   |   |   |   |   |   |   |    |
|                    | SUS316L   |         |   |   |   |   |   |        | 3L  |   |   |   |   |   |   |   |   |    |
| Sealing way        | Standard end face sealing                             |         |   |   |   |   |   |        |     |   |   |   |   |   |   |   | - |    |
|                    | End face sealing with damping                         |         |   |   |   |   |   |        |     |   |   |   |   |   |   |   | N |    |
|                    | Taper sealing   |         |   |   |   |   |   |        |     |   |   |   |   |   |   |   | Z |    |
| Accuracy           | 0.5%F.S   |         |   |   |   |   |   |        |     |   |   |   |   |   |   |   |   | -  |
|                    | 0.25%F.S  |         |   |   |   |   |   |        |     |   |   |   |   |   |   |   |   | 2A |