

## Instructions

### Explosion Proof Strain Gauge Pressure Sensor

PT210FS/PT210FH/PT210FC



## Summary

Intrinsically safe series adopt imported 17-4PH and excellent strain gauges as elastic components. It is with a special explosion-proof shell, has a wide range of temperature compensation and good measurement accuracy, has reverse polarity protection, instantaneous over-current, voltage and anti-interference protection measures.

## Feature

- Accuracy can be 0.25% F.S
- 4 ~ 20mA output
- Protection degree IP65
- Several threads optional
- Intrinsically safe

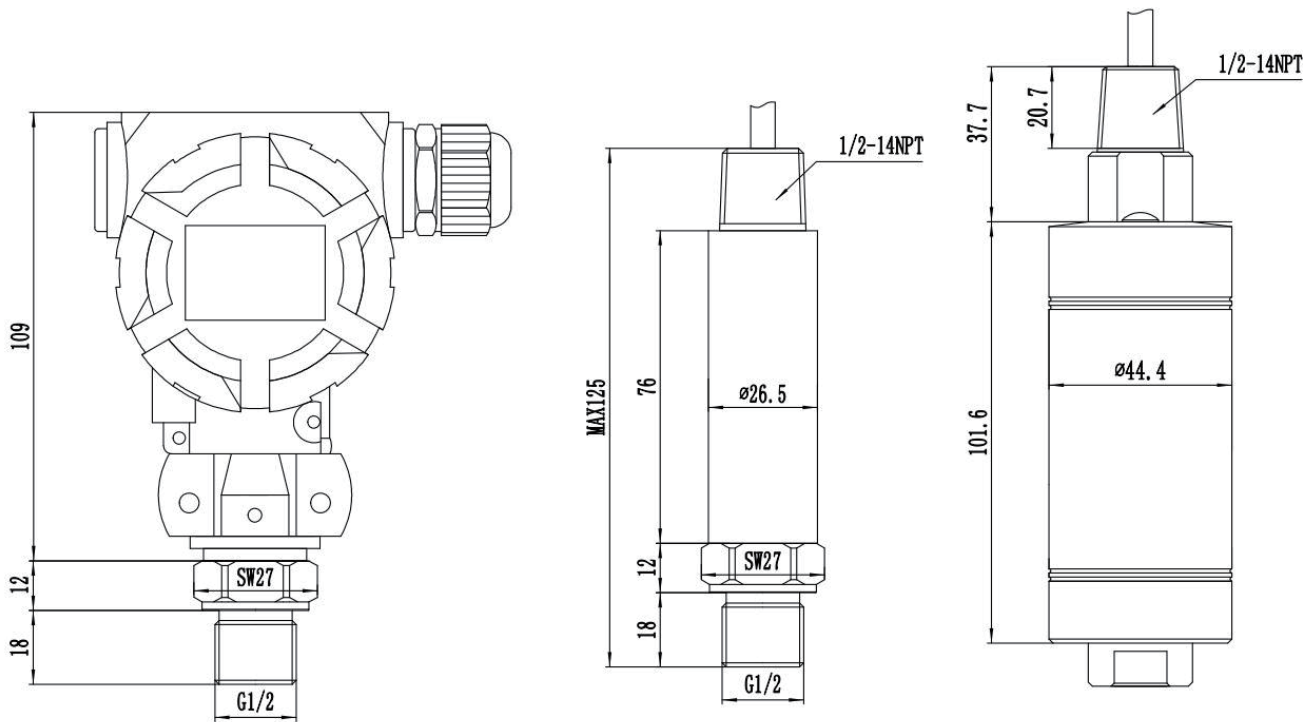
## Application

- Drilling platform
- Petrochemical and natural gas control system
- Explosion-proof industrial process measurement and control

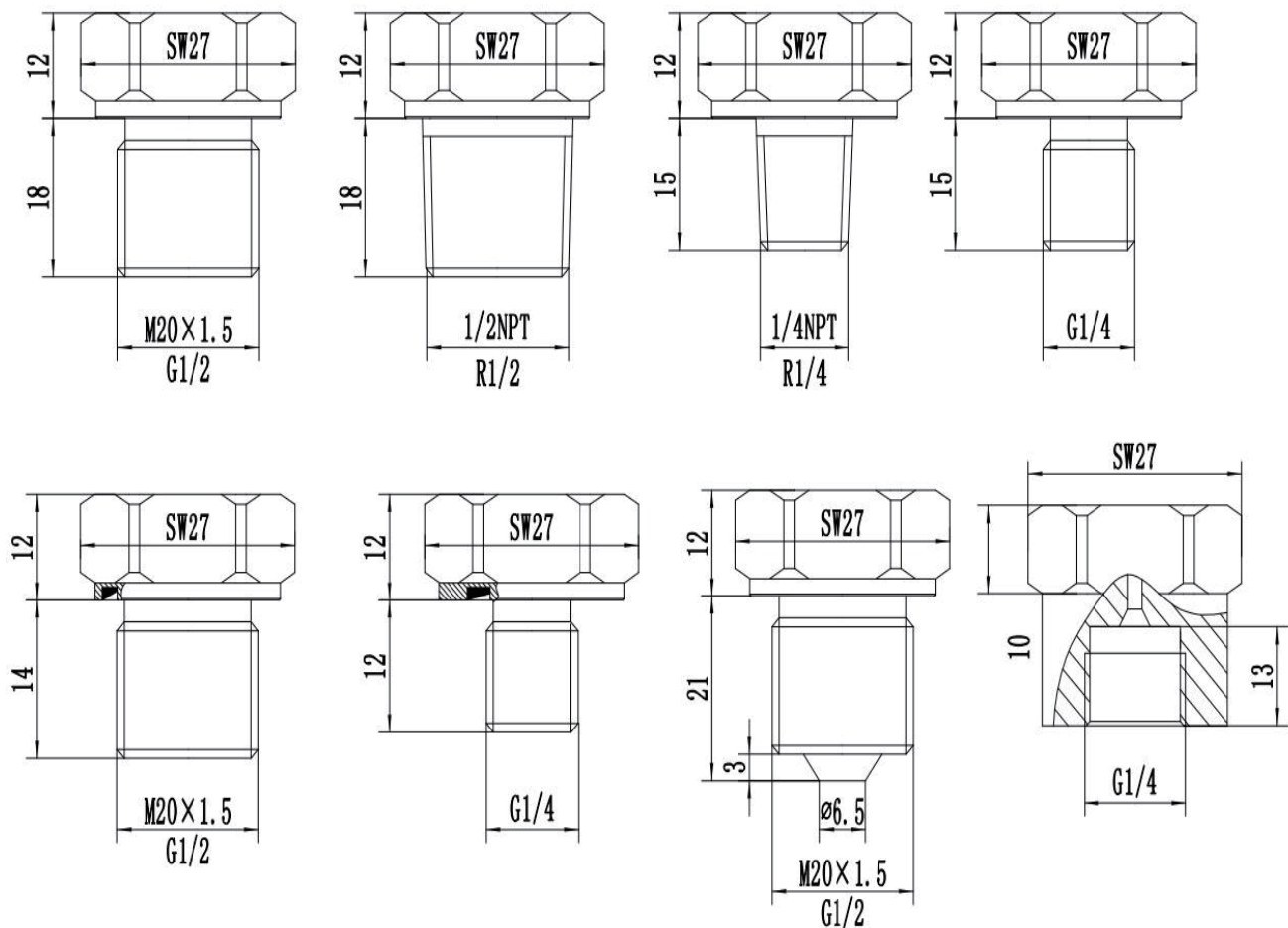
## Specification

Pressure range	0~100 bar,0~2000 bar(0~1MPa.0~200MPa)
Pressure type	Gauge
Accuracy	0.5% F.S; 0.25% F.S
Output signal	4~20 mA
Power supply	12~30Vdc
E-connection	Leading wire
Overload pressure	1.5 times rated pressure
Working temperature	-20~80℃
Protection degree	IP65
Explosion-proof grade	Exia II CT4
Long term stability	0.2% FS / year

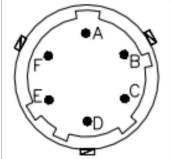
## Dimension




## Process connection



## E-connection

4-20mA/4-20mA+hard(intrinsically safe)			
6-pin	PIN	Function	Wire color
	A	Power+	red
	B	Signal+	black

Leading wire, Shielded			
		Current	Voltage
	U+	red	red
	0V		black
	S+	black	green

## Ordering guide

Series code		X	-	X	-	X	-	X	-	X	-	X	-	X	-	X	-	X
Pressure unit	Compact housing	PT210FS																
	2088 housing with LCD	PT210FH																
	φ44.4 housing	PT210FC																
Pressure unit	bar			B														
	MPa			M														
Pressure range	Pressure range value x					X												
Process connection	G1/4						G1/4											
	1/4NPT						1/4NPT											
	G1/2						G1/2											
	M20 x1.5						M20											
	R1/4						R1/4											
	R1/2						R1/2											
	1/2NPT						1/2NPT											
	G1/4 female						G1/4C											
Output	4~20mA							MA										
	4~20mA+HART							H										
E-connection	Leading wire X meters									MX								
	6-pin connector									6P								
Material	SUS304 (Standard)													-				
	SUS316L													3L				
Sealing way	Standard end face sealing																	-
	End face sealing with damping																	N
	Taper sealing																	Z
	O-ring seal																	M
Accuracy	0.5%F.S																	-
	0.25%F.S																	2A