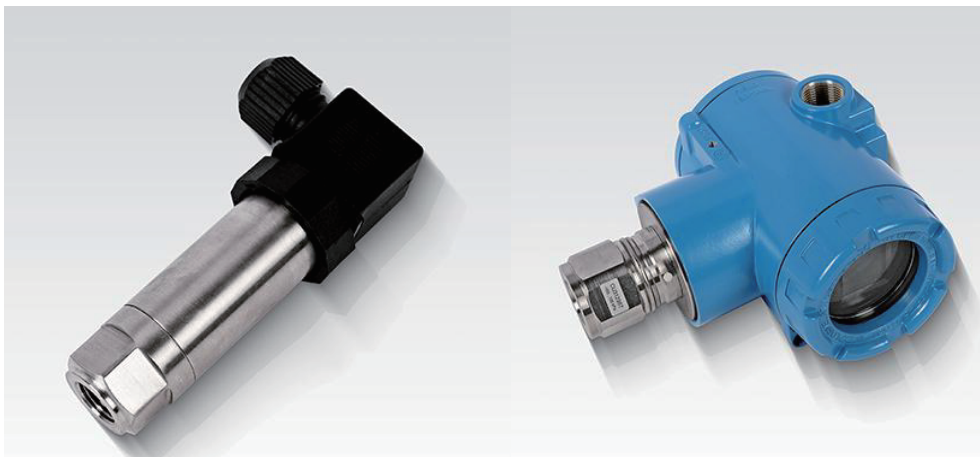


Instructions

High Pressure Strain Gauge Pressure Sensor

PT210CS/PT210CH



PT210CS

PT210CH



| Summary

PT210CS and PT210CH is specially designed for high-pressure pressure measurement, the max measurement pressure can be as high as 8000bar, it can be applied to various media compatible with stainless steel 17-4PH. The sensor core base is made of integral stainless steel, without any welding or sealing ring structure, no leakage risk, which can ensure to meet the requirements of customers for production safety and reliability.

| Feature

- Accuracy can be 0.25% F.S
- 0~1600bar ; 0 ~ 8000bar
- One-piece structure
- High load cycle, long service life,reduce the cost of repeated calibration

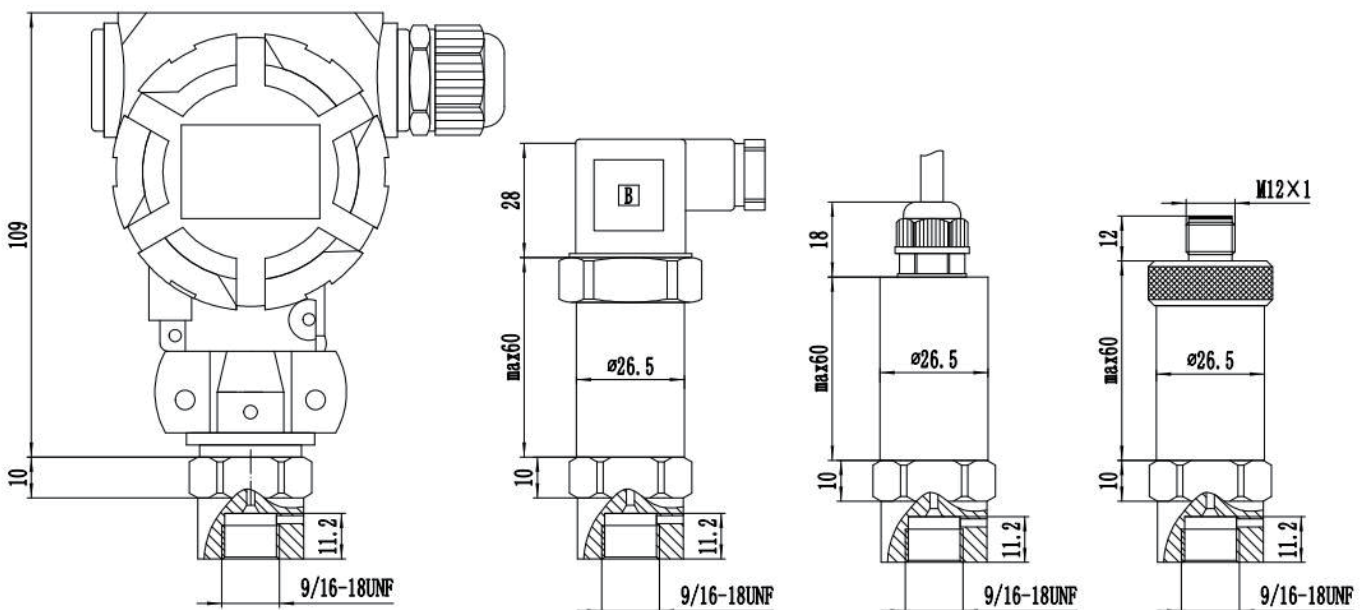
| Application

- Structure of test platform
- Water jet cutting
- Autoclave and cleaning
- Oil drilling

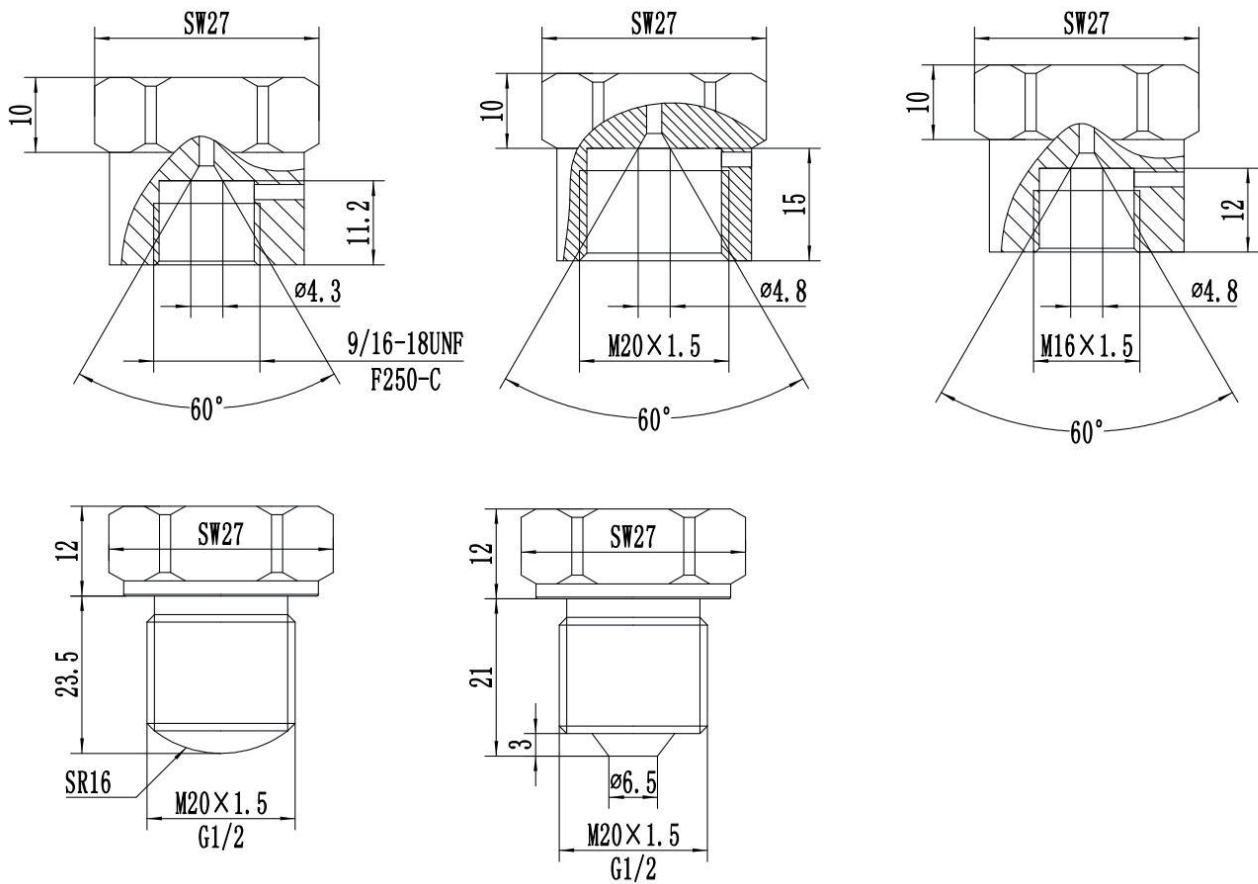
Specification

Pressure range	0~1600 bar; 0~8000 bar (0~160MPa; 0~800MPa)		
Pressure type	Gauge pressure		
Accuracy	0.5% F.S; 0.25% F.S		
Electrical Performance	2-wire	3-wire 0~10V	3-wire
Output signal	4~20 mA	0~10V	0~5V
Power supply	12~30Vdc	12~30Vdc	10~30Vdc
Overload resistance	<(U-6.5)/0.02	>20k	>20k
E-connection	M12x 1(4-pin),Hirschmann,water-proof connector		
Process connection	G1/2 male,M20x1.5 male or female,M16x1.5 female etc		
Overload pressure	1.5 times rated pressure		
Diaphragm Temp	-20~85 °C		
Electrical Temp	-20~80 °C		
Protection degree	IP65		
Response time	≤ 10msec		
Long term stability	0.2% FS / year		

Dimension



Process connection



E-connection

Hirschmann DIN 175301-803 A				Round connector 4-pin M12 x 1			
		Current	Voltage			Current	Voltage
	U+	1/red	1/red		U+	1/brown	1/brown
	0V		2/black		0V		4/ black
	S+	2/black	3/green		S+	3/blue	3/blue
Leading wire, Shielded							
		Current	Voltage				
	U+	red	red				
	0V		black				
	S+	black	green				

Ordering guide

Series code		X	-	X	-	X	-	X	-	X	-	X
Product type	Compact housing	PT210CS										
	2088 housing	PT210CH										
Pressure unit	bar			B								
	MPa			M								
Pressure range	Pressure range value x						X					
Process connection	M20x1.5 male arc sealing							M20Y				
	G1/2 male arc sealing							1/4NPT				
	M20x1.5 male taper sealing							M20Z				
	G1/2 male taper sealing							G1/2Z				
	9/16-18UNF female							9UC				
	M20x1.5 female							M20C				
	M16x1.5 female							M16C				
Output	4~20mA (the output of housing 2088,only choose this)										MA	
	0~10VDC										10V	
	0~5VDC										5V	
	4~20mA+HART										H	
E-connection	Hirschmann connector (DIN 175301-803 A)											1D
	M12×14-pin round connector											T
	water-proof connector leading wire X meters											MX
	2088 housing with LCD display											-
	2088 housing,no display											4D