

Instructions

Flush Diaphragm Strain Gauge Pressure Sensor

PT210AS/PT210AH



PT210AS



PT210AH



| Summary

PT210AS/PT210AH are sanitary special pressure transmitters designed and produced by using strain sensor core. Reasonable structural design and strict quality standards ensure the high reliability and stability of the products. This series has the characteristics of stainless steel welded structure, cavity-free full flush film, wide measuring range and field display. Widely used in the measurement and control of fluid pressure with high viscosity or particles

| Feature

- Accuracy can be 0.25% F.S
- 0 ~ 100bar; 0 ~ 2000 bar
- Full hard flat diaphragm
- High reliability

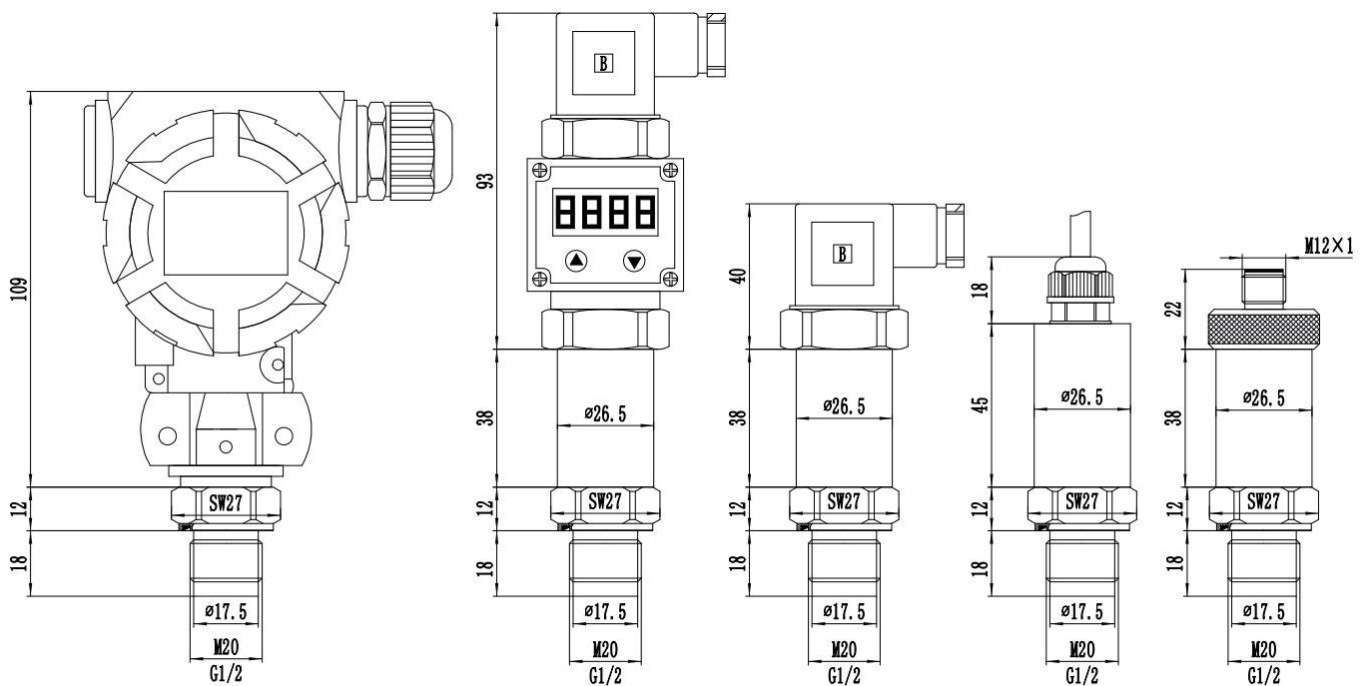
| Application

- Industrial process and control
- Environmental protection and dust engineering
- Chemical industry and paper industry
- Sewage treatment industry

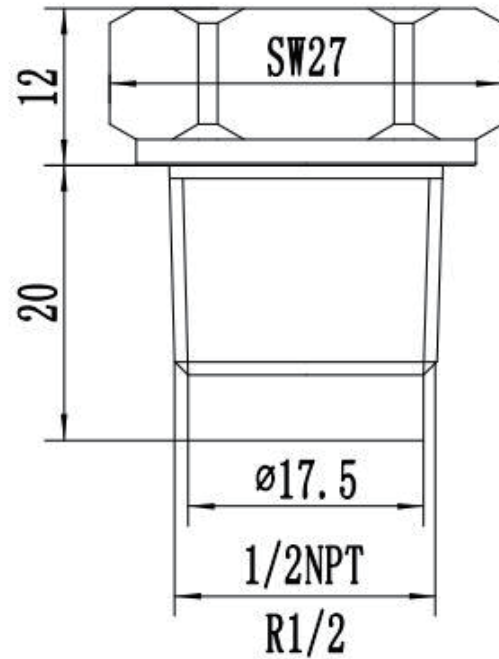
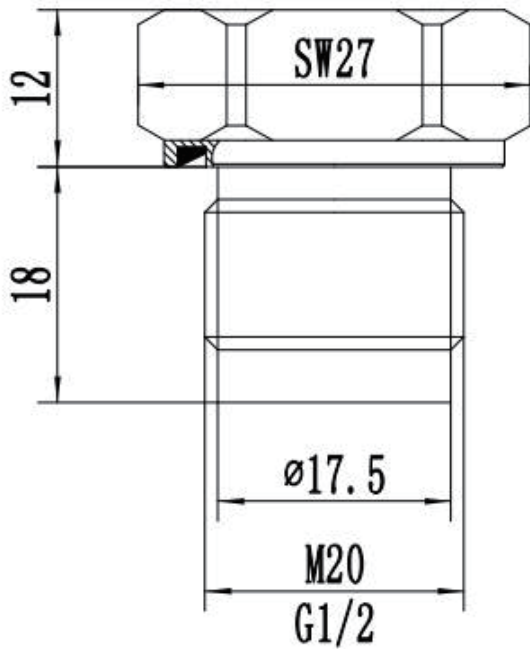
Specification

Pressure range	0~100bar; 0~2000 bar(0~10MPa; 0~200MPa)			
Pressure type	Gauge pressure			
Accuracy	0.5% F.S; 0.25% F.S			
Electrical Performance	2-wire	3-wire 0~10V	3-wire	3-wire
Output signal	4~20 mA	0~10V	0~5V	0.5~4.5V
Power supply	6.5~32Vdc	12~32Vdc	10~32Vdc	5Vdc
Overload resistance	<(U-6.5)/0.02	>20k	>20k	>20k
E-connection	M12x 1(4-pin),Hirschmann, PACK connector,water-proof connector			
Process connection	G1/2, 1/2NPT,M20x1.5,R1/2 etc			
Overload pressure	1.5 times rated pressure			
Diaphragm Temp	-20~85℃			
Electrical Temp	-20~80℃			
Protection degree	IP65			
Response time	≤ 10msec			
Long term stability	0.2% FS / year			

Dimension



Process connection



E-connection

Hirschmann DIN 175301-803 A			
		Current	Voltage
	U+	1/red	1/red
	0V		2/black
	S+	2/black	3/green

Hirschmann DIN 175301-803 C			
		Current	Voltage
	U+	1/red	1/red
	0V		2/black
	S+	2/black	3/green

Round connector 4-pin M12 x 1			
		Current	Voltage
	U+	1/brown	1/brown
	0V		4/black
	S+	3/blue	3/blue

Metric-Pack 150 series (3-pin)			
		Current	Voltage
	U+	B/red	B/red
	0V		A/black
	S+	A/black	C/green

Leading wire, Shielded			
		Current	Voltage
	U+	red	red
	0V		black
	S+	black	green

Ordering guide

Series code		X	-	X	-	X	-	X	-	X	-	X
Product type	Compact housing	PT210AS										
	2088 housing	PT210AH										
Pressure unit	bar											
	MPa											
Pressure range	Pressure range value x							X				
Process connection	M20 x1.5								M20			
	G1/2								G1/2			
	1/2NPT								1/2NPT			
	R1/2								R1/2			
Output	4~20mA (the output of housing 2088,only choose this)										MA	
	0~10VDC										10V	
	0~5VDC										5V	
	4~20mA+HART										H	
E-connection	Hirschmann connector (DIN 175301-803 C)											2D
	M12×14-pin round connector											T
	Packard connector											PA
	water-proof connector leading wire X meters											MX
	2088 housing with LCD display											-
	2088 housing,no display											4D