

## Instructions

# Strain Gauge Pressure Sensor Standard series

PT210



## | Summary

This PT210 series use excellent 17-4PH materials as elastic elements and imported strain gauges. Through a high-reliability amplifier circuit and temperature compensation, the gauge pressure of the measured medium is converted into a standard voltage or current output mode. Strong interference ability, wide operating temperature range, good long-term stability etc.

## | Feature

- Accuracy can be 0.5% F.S /0.25% F.S
- 0 ~ 10bar; 0 ~ 1600bar
- Several E-connection optional
- Imported strain gauge

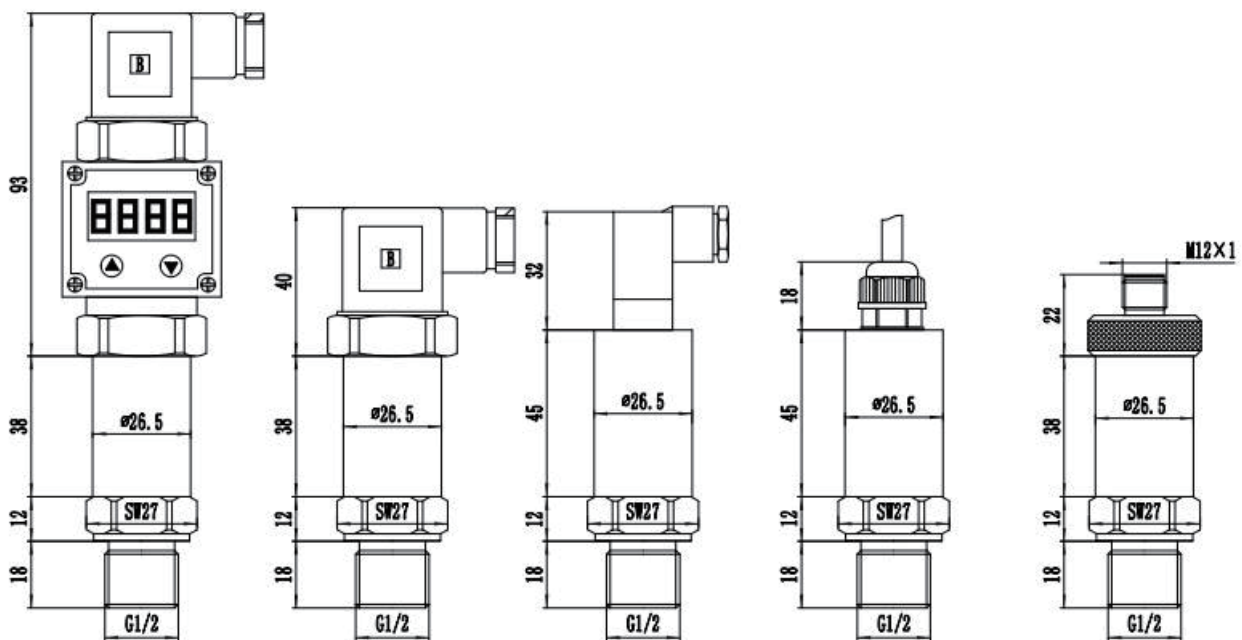
## | Application

- Industrial process detection and control
- Hydraulic system
- Industrial machinery manufacturing
- General industrial application

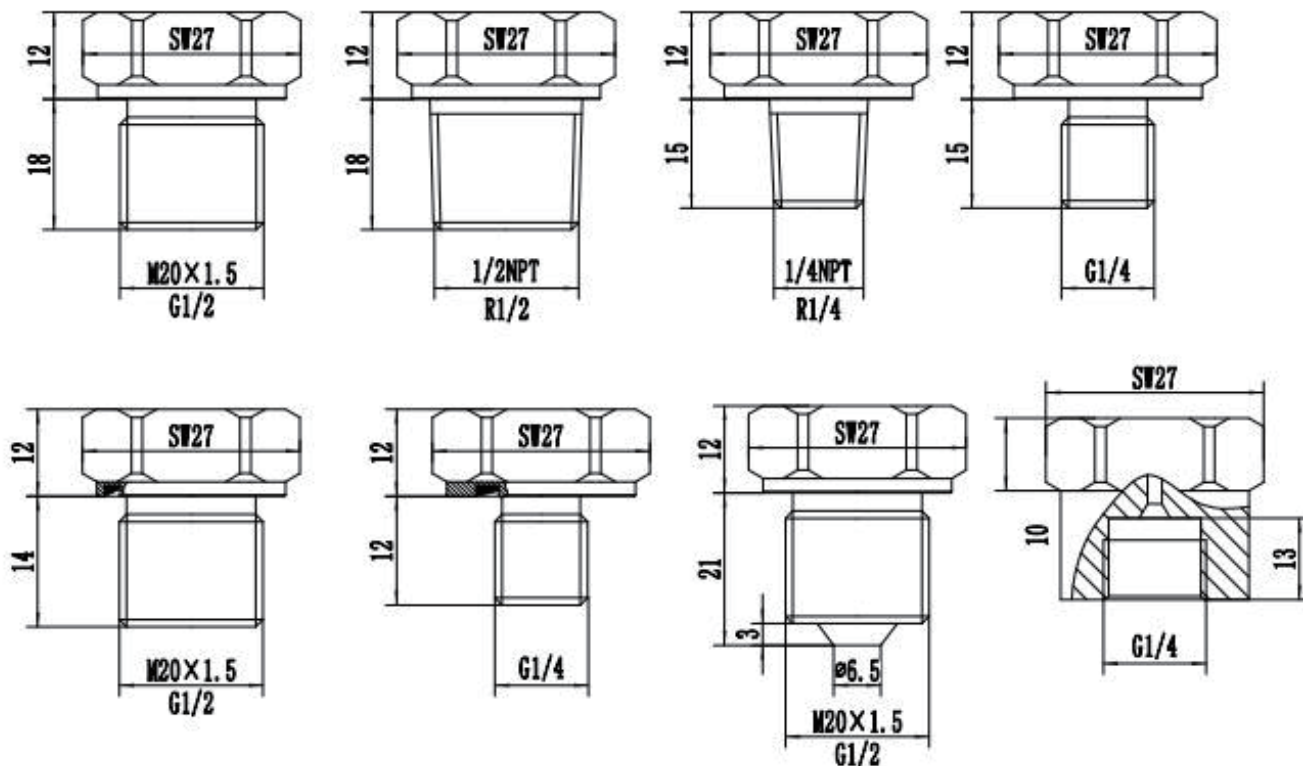
## Specification

Pressure range	0~10 bar,0~1600bar (0-1MPa,0-160MPa)		
Pressure type	Gauge pressure		
Accuracy	0.5% F.S; 0.25% F.S		
Pressure type	≤0.04%/C		
Accuracy	all corosive medium compatible with material		
Electrical Performance	2-wire	3-wire	3-wire
Output signal	4~20 mA	0~10V	0~5V
Power supply	≤3msec	≤10msec	≤10msec
Power supply	12~30Vdc	12~30Vdc	10~30Vdc
Overload resistance	<(U-10)/0.02Ω	25kΩ	25kΩ
E-connection	M12x 1(4-pin),Hirschmann,Leading wire		
Process connection	G1/4,G1/2,1/4NPT,M20x1.5		
Overload pressure	1.5 times rated pressure		
Overload pressure	3 times rated pressure		
Diaphragm Temp	-20~85℃		
Long term stability	100 g/1 msec		
Response time	≤20 g(15—2000 Hz)		
Protection degree	IP65		

## Dimension



## Process connection



## E-connection

Hirschmann DIN 175301-803 A			
		Current	Voltage
	U+	1/red	1/red
	0V		2/black
	S+	2/black	3/green

Hirschmann DIN 175301-803 C			
		Current	Voltage
	U+	1/red	1/red
	0V		2/black
	S+	2/black	3/green

Round connector 4-pin M12 x 1			
		Current	Voltage
	U+	1/brown	1/brown
	0V		4/ black
	S+	3/blue	3/blue

Metric-Pack 150 series (3-pin)			
		Current	Voltage
	U+	B/red	B/red
	0V		A/black
	S+	A/black	C/green

Leding wire, Shielded			
		Current	Voltage
	U+	red	red
	0V		black
	S+	black	green

## Ordering guide

Series code		PT210	-	X	-	X	-	X	-	X	-	X	-	X	-	X	-	X	
Pressure unit	bar			B															
	MPa			M															
Pressure range	Pressure range value x				X														
Process connection	G1/4					G1/4													
	1/4NPT					1/4NPT													
	G1/2					G1/2													
	M20 x1.5					M20													
	R1/4					R1/4													
	R1/2					R1/2													
	1/2NPT					1/2NPT													
	G1/4 female					G1/4C													
Output	4~20mA						MA												
	0~10VDC						10V												
	0~5VDC						5V												
	0.5~4.5VDC						4V												
E-connection	Hirschmann connector (DIN 175301-803 C)							2D											
	Hirschmann connector (DIN 175301-803 A)							1D											
	M12x1 round connector 4-pin							T											
	Packard connector							PA											
	water-proof connector leading wire X meters							MX											
	Hirschmann connector with LED							3D											
	Digital LED display with alarm							4D											
Material	SUS304 (Standard)												-						
	SUS316L												3L						
Sealing way	Standard end face sealing																-		
	End face sealing with damping																N		
	Taper sealing																Z		
	O-ring seal																M		
Accuracy	0.5%FS																	-	
	0.25%FS																	2A	