

Instructions

Digital High Temperature Melt Pressure Gauge

PG112X/ PG123X/ PG133X



attestation

ISO 9001:2015

Please read this instruction manual carefully before installation



Content

- 1.Introduction
- 2.Product features
- 3.Technical parameters
- 4.Ordering guide
- 5.External size
- 6.Hole size

Introduction

This series of products is designed for pressure measurement in high temperature environment.Itadopts on-site LED display without indication error,two way relay output,stable work performance at 400 °C.It uses standard thread connection and is characterized by high stability and long service life.

Product features

- Φ 100mm standard gauge installation
- 4 digit LED display,no indication error
- 4-20mA signal output,on-site control point setting
- two way relay control output 220 3A
- special diaphragm coating
- accuracy:0.5% FS

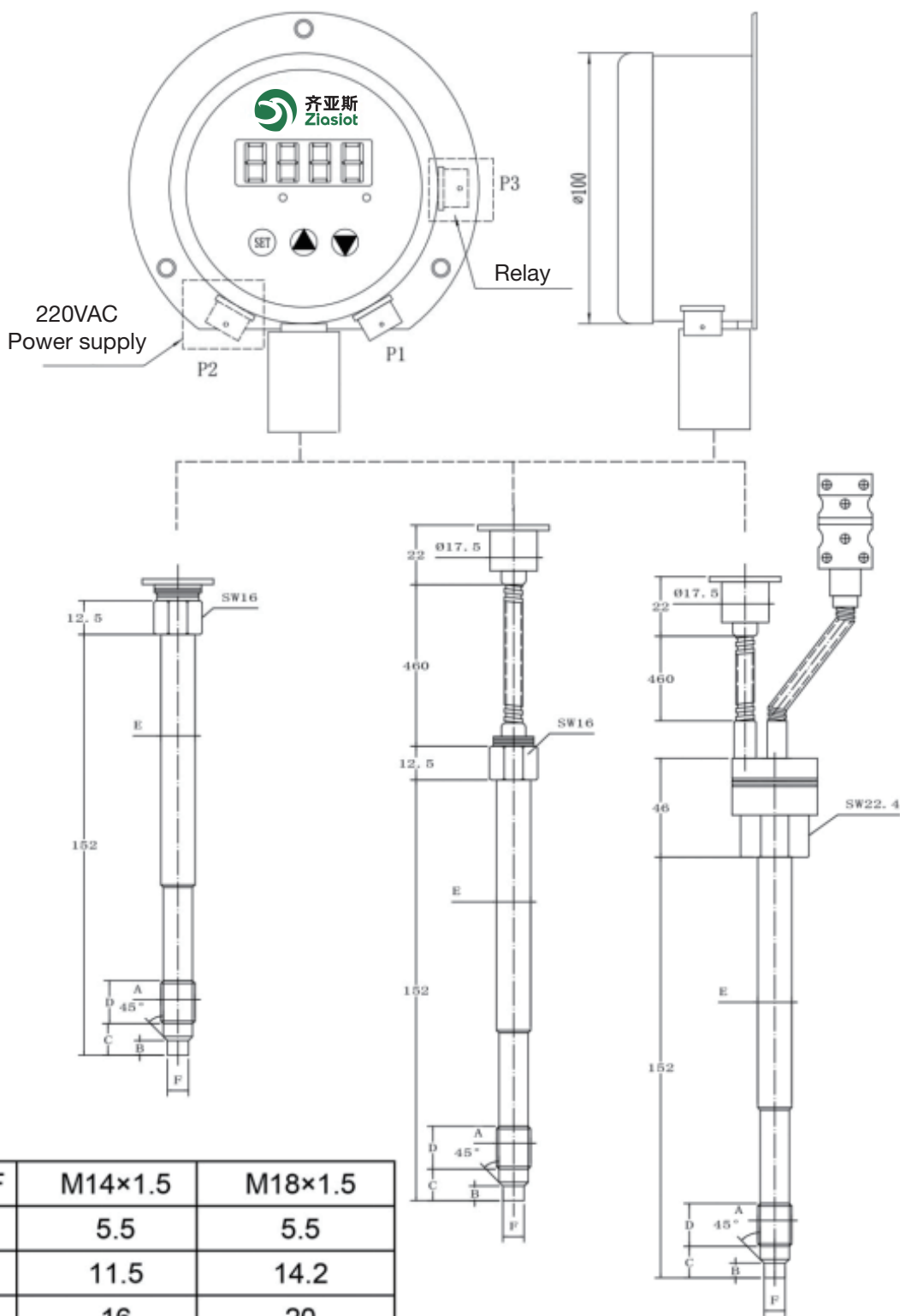
Technical parameters

Pressure Range	0~3.5MPa or 0~200MPa
Combined Accuracy	±0.5%
Diaphragm Material	17-4 PH with anti-abrasive coating, other coating available
Overload Capacity	1.5 times rated pressure
Display Method	0.56 Nixie Tube
Indication Range	-1999~9999
Signal Output	4-20mA with two way relay output
Power Supply	24VDC/220VAC
Process Connection	1/2-20UNF , M14×1.5 , M18×1.5 , M22×1.5
Response Time	<30mS
Diaphragm Temp	400°C
Electrical Temp.	-20°C~70°C
Temp. Drift	0.03bar/°C
I.P Grade	IP65
Mounting Torque	Max.40N.m
RH	≤80%
Temp.Measurement	J type TC,K type TC,E type TC,Pt100 RTD

Ordering guide

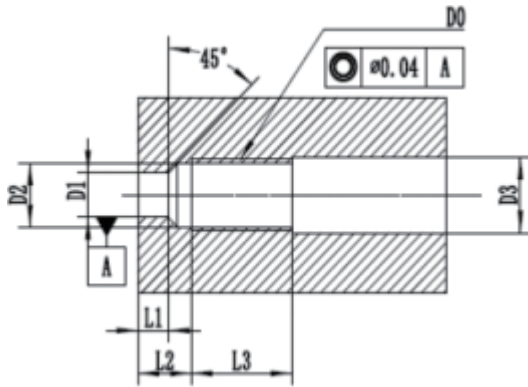
Serie No	PG	X	-	X	-	X	-	X	X	-	X	-	X	-	X
Product type	rigid stem	112X													
	flexible type	123X													
	dual pressure&temperature type	133X													
Pressure range	3.5MPa 35bar			5C											
	5MPa 50bar			7.5M											
	7MPa 70bar			1M											
	10MPa 100bar			1.5M											
	20MPa 200bar			3M											
	35MPa 350bar			5M											
	70MPa 700bar			7.5M											
	100MPa 1000bar			10M											
	140MPa 1400bar			15M											
	200MPa 2000bar			20M											
	1/2-20UMF			30M											
	Process connection	1/2-20UMF			1/2										
M14×1.5				M14											
M18×1.5				M18											
M22×1.5				M22											
Rigid stem	6 inches (152mm)							6							
	9 inches (229mm)							9							
	12.5 inches (318mm)							12							
	15 inches (381mm)							15							
	18 inches (460mm)							18							
Flexible	18 inches (460mm)								/18						
	24 inches (610mm)								/24						
	30 inches (760mm)								/30						
Temperature component	J type									J					
	K type									K					
	E type									E					
	Pt100 type									RTD1					
Power supply	220VAC											V1			
	24VDC											V2			
Diaphragm material	17-4 PH (Standard diaphragm)													None	
	Hastelloy (Anti-corrosive)													C2	
	Inconel 718 (Anti-abrasive)													I7	
	17-4PH (Thickening diaphragm)													T2	
Filling medium	Standard products														None
	Environmental friendly alloy filled														B17

External size

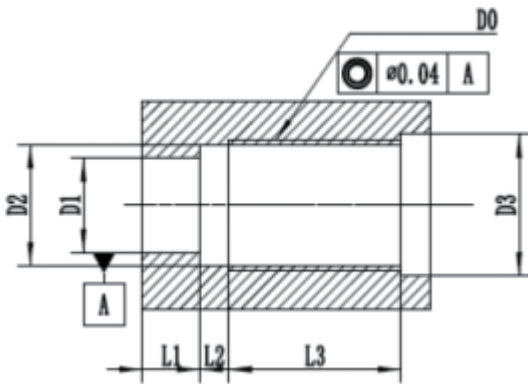


A	1/2-20UNF	M14×1.5	M18×1.5
B	5.5	5.5	5.5
C	11.5	11.5	14.2
D	16	16	20
E	$\Phi 12.7$	$\Phi 12.7$	$\Phi 12.7$
F	$\Phi 7.8_{-0.06}$	$\Phi 7.8_{-0.06}$	$\Phi 9.8_{-0.06}$

Hole size



D0	1/2-20UNF	M14×1.5	M18×1.5	M12×1.5
D1	φ8	φ8	φ10	φ8
D2	φ11.5	φ12.5	φ16.5	φ10.4
D3	φ13.5	φ14.5	φ20	φ12.5
L1	5.8	5.8	5.8	5.8
L2	10	10	11	10
L3	19	19	25	19



D0	M22×1.5	M20×1.5	G3/4	G3/8
D1	φ16.2	φ14	φ18	φ10
D2	φ20.5	φ18.7	φ24.5	φ15
D3	φ24	φ22	φ28	φ18
L1	10	5.8	5.8	9
L2	5	3	11	4
L3	40	35	25	25