

Instructions

High Temperature Melt Pressure Gauge

PG112&PG123&PG133



attestation

ISO 9001:2015

Please read this instruction manual carefully before installation



Content

- 1.Introduction
- 2.Application
- 3.Product eatures
- 4.Technical parameters
- 5.Dimensions
- 6.Ordering guide
- 7.E-Connection

Introduction

High temperature melt pressure gauge series is designed to measure pressure at high temperature in the industries of injection molding and chemical fiber, special diaphragm and highly anti-abrasive coating of which enable it to work normally at high temperature of 400°C. It adopts standard threaded connection and is characterized by high stability and long service life.

Application

Chemical fiber industry , Injection molding industry , Rubber&Plastics industry

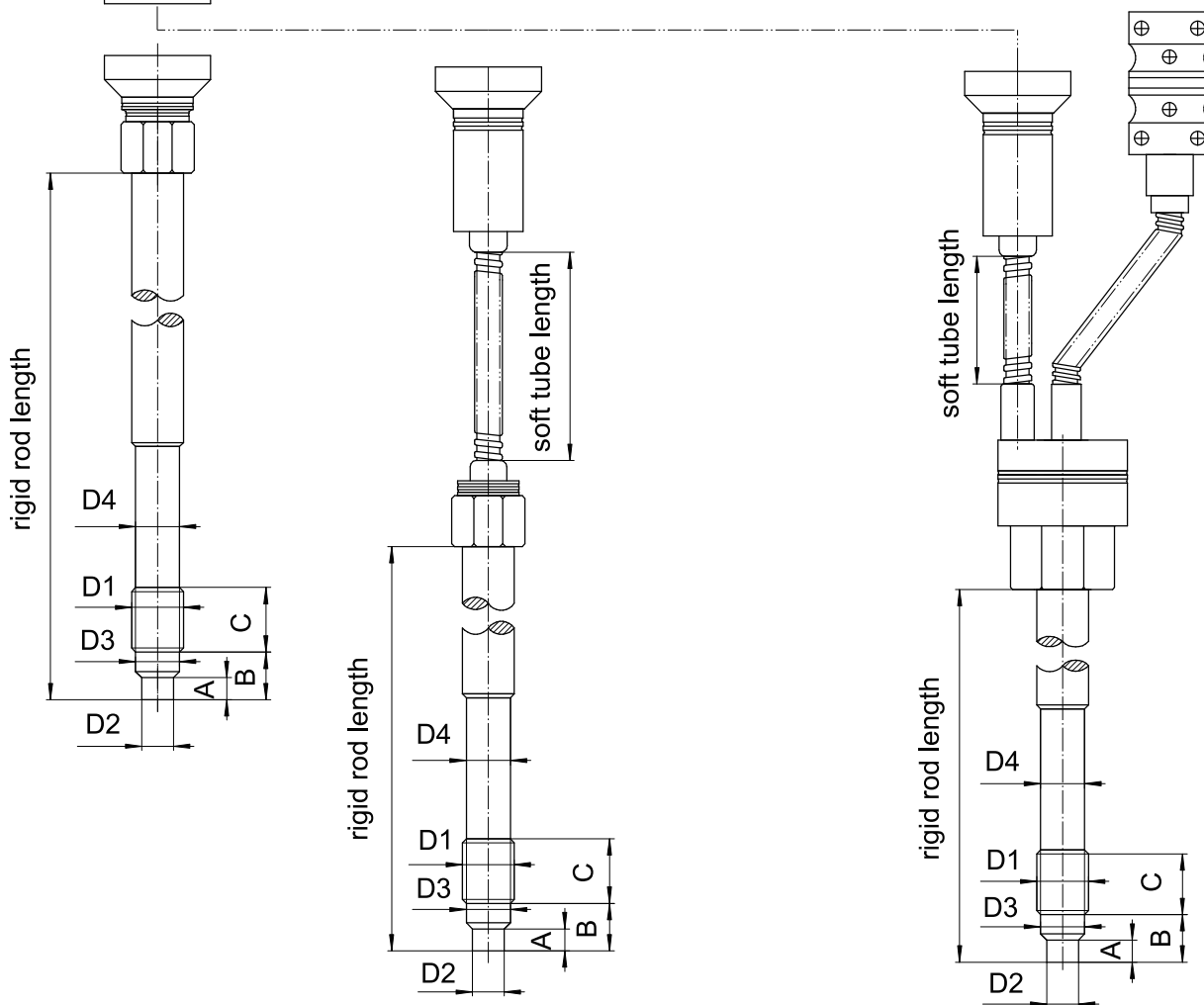
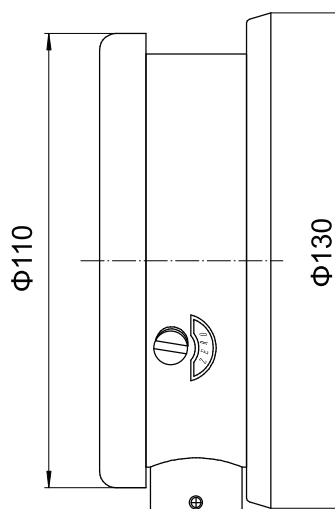
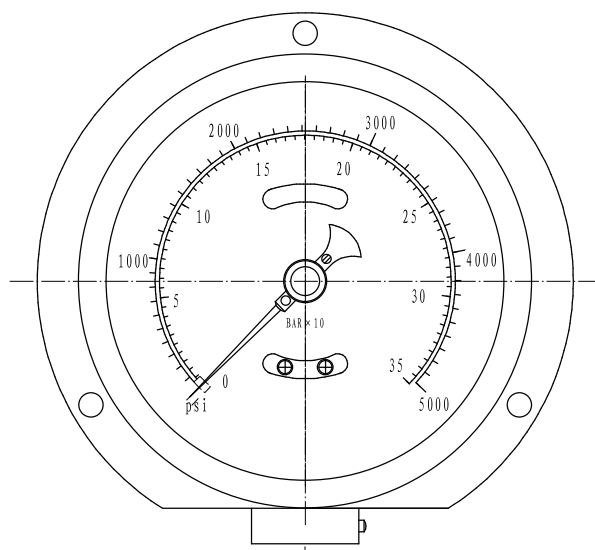
Product features

- Pressure range:0~100bar or 0~1000bar
- Accuracy level:±1.6%F.S
- Special diaphragm coating
- IP65 protection level
- 4~20mA signal output available

Technical parameters

Signal Output	4~20mA available
Accuracy	±1.6%F.S
Pressure Range	0~100bar,0~1000bar
Pressure Unit	psi,bar
Overload Capacity	1.5 times rated pressure
Zero Temperature Drift	0.005MPa/°C
Electrical Environment Temp	-20°C~85°C
Diaphragm Material	15-5PH
Diaphragm Temp	400°C
E-connection	5-pin standard aviation connector
Mounting Torque	40N.m,max
Process Connection	1/2-20UNF
Protection Level	IP65
Temp Measuring Components	E,J,Ktype or Pt100

External dimension

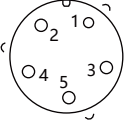


D1	D2	D3	D4	D5	A	B	C
1/2UMF	Φ7.8	Φ10.5	Φ10.5	Φ12.7	5.5	11.5	16
M14×1.5	Φ7.8	Φ11.5	Φ11.7	Φ12.7	5.5	11.5	16
M18×1.5	Φ9.8	Φ15.8	Φ12.7	Φ12.7	5.5	14.5	20

Ordering guide

Serie No		PG	X	-	X	-	X	-	X	X	-	X	-	X	-	X
Product type	rigid stem		112													
	flexible		123													
	dual measurement		133													
Pressure range	10MPa 100bar 1500psi			1.5M												
	20MPa 200bar 3000psi			3M												
	25MPa 250bar 3500psi			3.5M												
	35MPa 350bar 5000psi			5M												
	40MPa 400bar 6000psi			6M												
	50MPa 500bar 7500psi			7.5M												
	70MPa 700bar 10000psi			10M												
	100MPa 1000bar 15000psi			15M												
Process connection	1/2-20UMF						1/2									
	M14×1.5						M14									
	M18×1.5						M18									
	M22×1.5						M22									
	G3/8						G3/8									
Rigid stem	6 inches(152mm)						6									
	9 inches(229mm)						9									
	12.5 inches(318mm)						12									
	15 inches(381mm)						15									
	18 inches(460mm)						18									
Flexible	18 inches(460mm)						/18									
	24 inches(610mm)						/24									
	30 inches(760mm)						/30									
Signal output	None						blank									
	2mV/V						2MV									
	4~20mA						MA									
	0~10VDC						10V									
	0~5VDC						5V									
Temperature component	J type						J									
	K type						K									
	E type						E									
	three Pt100 RTD						RTD1									
E-Connection	None						blank									
	5-PIN standard aviation connector						5P									

E-Connection

5PIN Connector	Current Signal Output				
	1	2	3	4	5
	E+	E-			
	Red	Blue			